

# Violin 6000 Series Memory Array Slide Rail Installation

Make sure that you received the following items in the slide rail kit:

- Two slide rails with two flat head screws for mounting the rails to the chassis

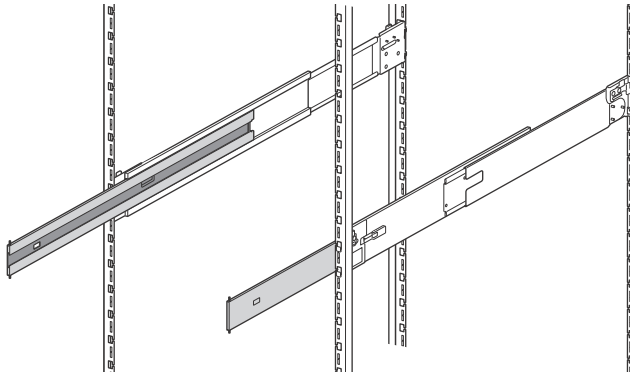
---

**Caution:** Improperly mounted rack-mounting brackets and slide rails may cause the product to fall.

---

## To install the slide rails:

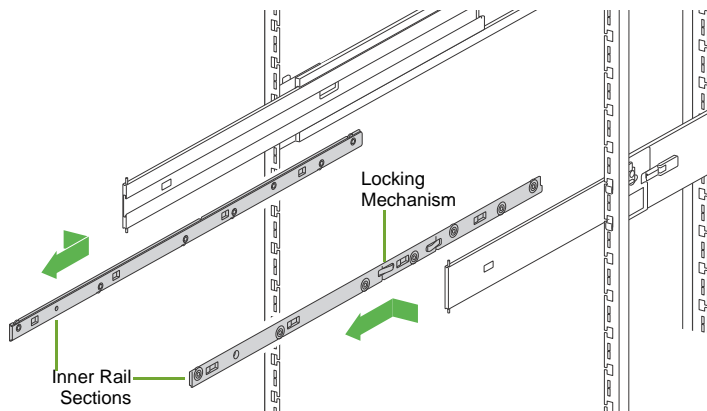
1. Locate the left and right slide rails. The left slide rail is labeled “LEFT FRONT” on the outside front of the rail; the right slide rail is labeled “RIGHT FRONT.”



2. Install the slide rails at the appropriate height in the equipment rack. Orient the slide rails so they slide out to the front of the equipment rack.

## Removing the Inner Slide Rail Sections

1. Fully extend the slide rails and the inner rail sections from the equipment rack until the rails click into place.



2. Press the spring-loaded lock mechanisms on the outside of both inner rail sections and then pull out and remove the inner slide rail sections from the left and right slide rails.

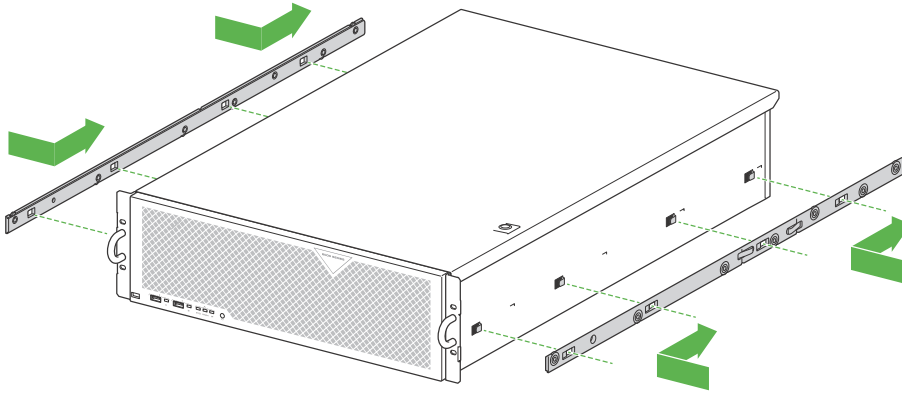
## Attaching the Inner Slide Rail Sections to the Chassis

1. Locate the four rectangular cutouts on the side of the inner rail section.

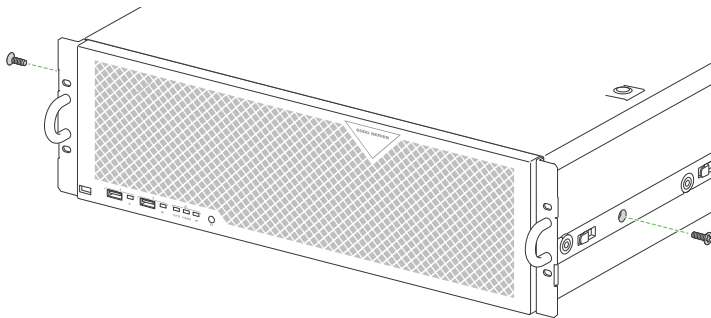
---

**Note:** Make sure to attach the left and right inner slide rail sections to the correct sides of the chassis. The inner slide rail sections are marked as follows: “B-L” on the left section and “B-R” on the right section.

---



2. Align the four cutouts over the four hooks on the outside of the Violin 6000 Series Memory Array chassis and then slide the inner rail section toward the rear of the chassis until it is securely in place.



3. Using the two flat head screws from the slide rail kit, secure the inner rail sections to the Violin 6000 Series Memory Array chassis.

See the *Violin 6000 Series Memory Array Installation and User's Guide* to complete the entire Memory Array installation process.